



Protex®

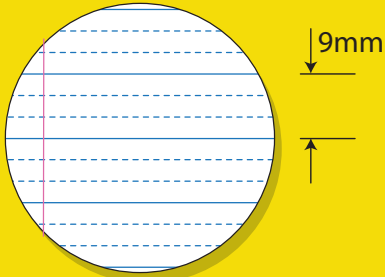
Unit 3, 613 Whitehorse Rd, Mitcham Vic 3132

Phone: (03) 9872 4422 | Fax: (03) 9873 5877

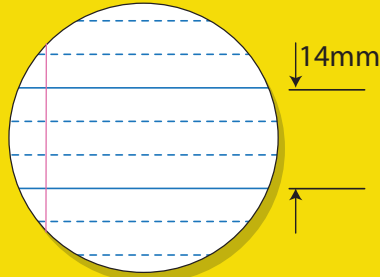
Email: info@notestationery.com.au

Web: www.notestationery.com.au

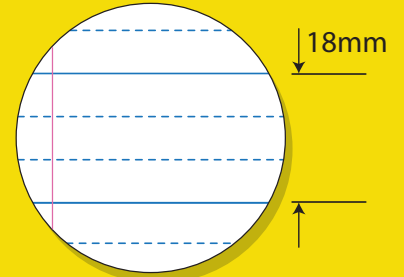
Protex Ruling Samples



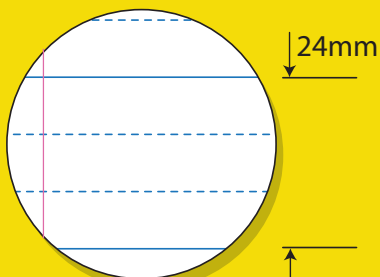
9mm Dotted Thirds



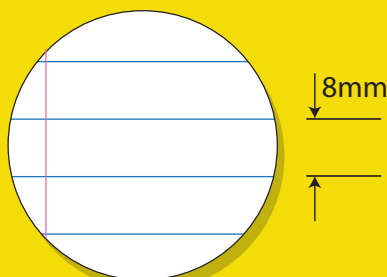
14mm Dotted Thirds



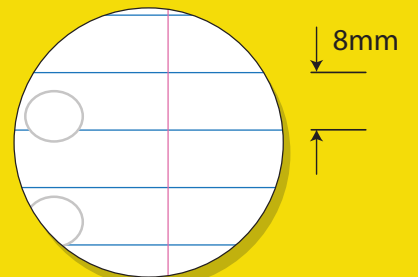
18mm Dotted Thirds



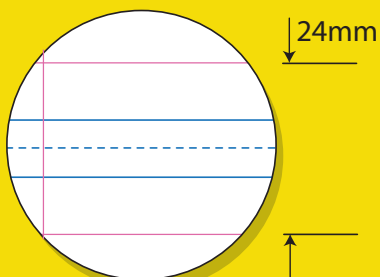
24mm Dotted Thirds



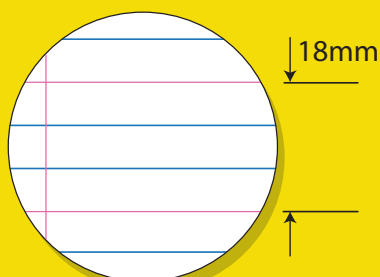
Standard Exercise Book



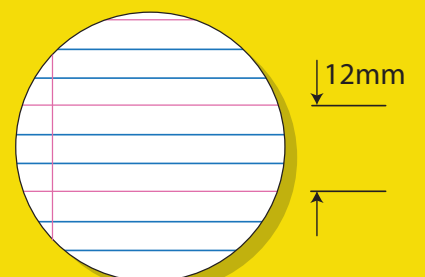
Standard Binder Book



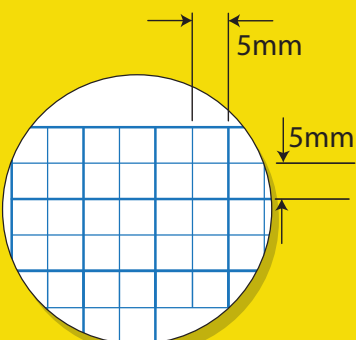
Queensland Year 1 Ruling



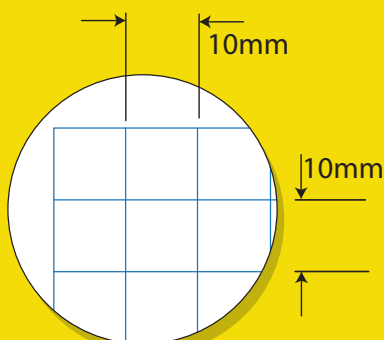
Queensland Year 2 Ruling



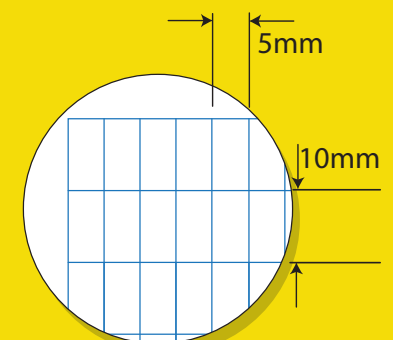
Queensland Year 3 & 4 Ruling



5mm Graph



10mm Graph



Primary Grid